



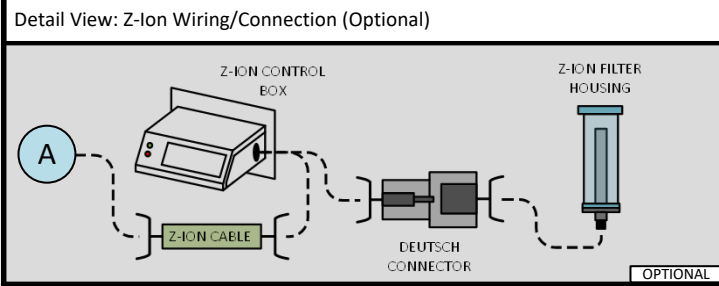
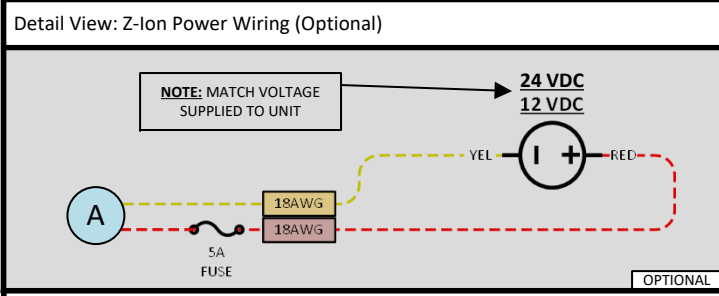
**NOTE:** MAKE CERTAIN THE CORRECT VOLTAGE IS SUPPLIED. PROVIDE THE FOLLOWING VOLTAGES:  
**12V SYSTEMS: 13.5-14.2 VDC**  
**24V SYSTEMS: 26.8-28.4 VDC**

**NOTE:** FAN AND MOTOR WIRES ARE TWISTED AND JOINED WITHIN THE FEMALE SPADE CONNECTOR

**NOTE:** FAN WIRES ARE UN-MODIFIED MANUFACTURER WIRES

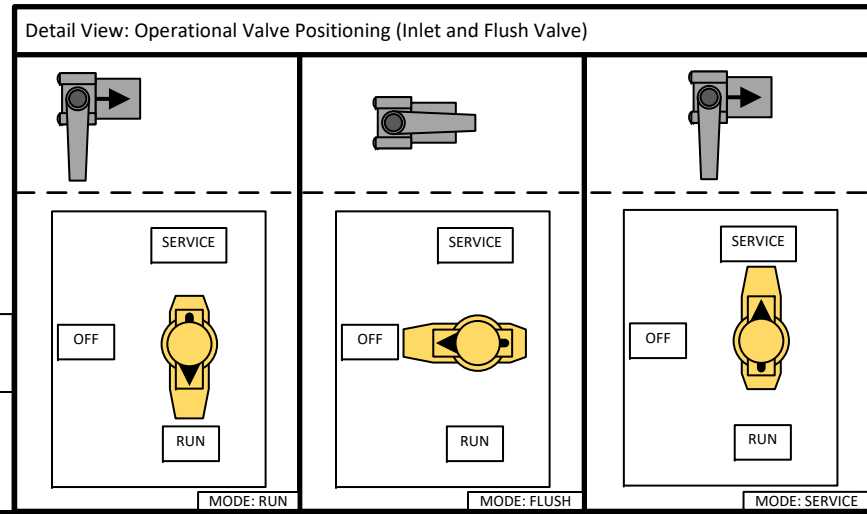
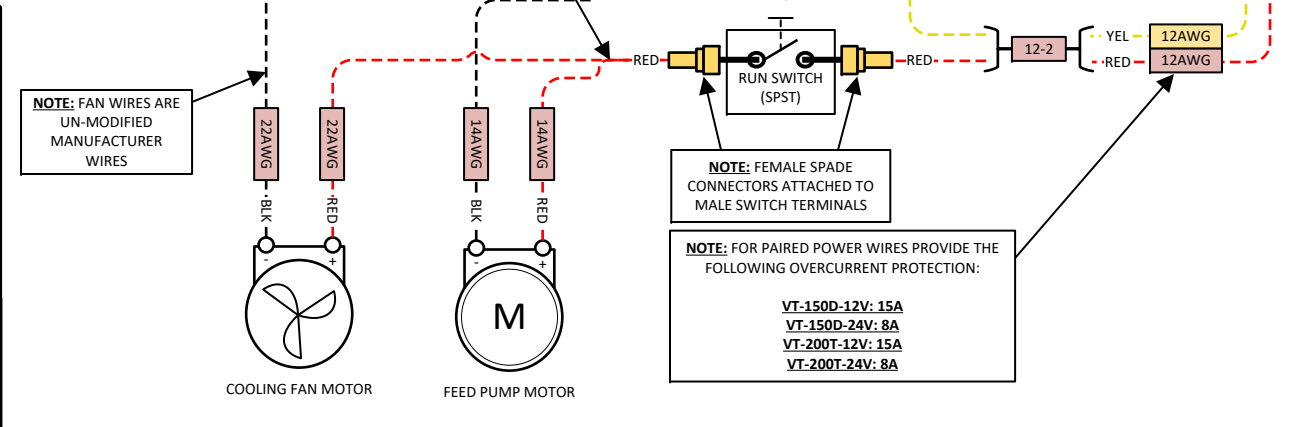
**NOTE:** FEMALE SPADE CONNECTORS ATTACHED TO MALE SWITCH TERMINALS

**NOTE:** FOR PAIRED POWER WIRES PROVIDE THE FOLLOWING OVERCURRENT PROTECTION:  
**VT-150D-12V: 15A**  
**VT-150D-24V: 8A**  
**VT-200T-12V: 15A**  
**VT-200T-24V: 8A**



### List of Symbols: KEY

BLK	WIRE COLOR LABEL – INDICATES A BLACK WIRE
RED	WIRE COLOR LABEL – INDICATES A RED WIRE
YEL	WIRE COLOR LABEL – INDICATES A YELLOW WIRE
( 18-2 )	WIRE GAUGE LABEL – INDICATES A GAUGE FOR A CABLE OF MULTIPLE WIRES, FORMATED AS (WIRE GAUGE)-(NUMBER OF WIRES IN CABLE)
18AWG	WIRE GAUGE LABEL – INDICATES A GAUGE FOR A SINGLE WIRE
⚡	FUSE – NECESSARY SIZING INFORMATION CALLED OUT ON WIRING DIAGRAM
🔌	CONNECTION – YELLOW MALE/FEMALE SPADE WIRE TERMINAL
---	WIRING – SINGLE WIRE BLACK OR WHITE – TYPICAL COMM COLOR
---	WIRING – SINGLE WIRE RED – TYPICAL ENERGIZED COLOR
---	WIRING – SINGLE WIRE YELLOW – TYPICAL NEUTRAL COLOR
A	NOTATION – WIRE CONTINUITY SYMBOL INDICATES CONTINUITY BETWEEN MATCHING ALPHABETIC SYMBOLS – LARGE ALPHABETIC CIRCLE



- Control System:**
- Manual System
  - 12/24VDC Input Voltage
- Applicable System Numbers:**
- VT-150D-12V
  - VT-150D-24V
  - VT-200T-12V
  - VT-200T-24V

Revision History: VT-150/200D-12/24VDC			Ventura-150/200D-12/24VDC
Rev No:	Date:	Description:	Revision: B Rev Date: 01/16/2023 Print Date: 01/16/2023 Drawn by: LSS  <b>Katadyn Desalination</b>
A	01/02/2023	Initial Wiring Diagram for Non-Connect Ventura-150/200 Systems, 12/24VDC	
B	01/16/2023	Note Correction & Clarity Updates	